

Features

- Offers a “One Stop Solution” for your Power Management System
- Full-Featured Relay Includes:
 - Push-to-Test Button
 - Removable Lock-Down Door
 - Flag Indicator
 - LED Status Lamp
 - Removable ID Tag
 - Contact Viewing Window
- See-Thru Plastic Finger-Grip Cover
- 8-Pin and 11 -Pin Octal Plug-In Types

AC OPERATED						
NTE Type No.	Nom. Voltage	Contact Arr.	Coil Res. Ohms (Typ)	Nom. Power	Max. Contact Cur. @ 28VDC or 120VAC	Diag No.
R03-11A10-12	12VAC	DPDT	18	3VA	10A	D85a
R03-11A10-24	24VAC	DPDT	72	3VA	10A	D85a
R03-11A10-120	120VAC	DPDT	1700	3VA	10A	D85a
R03-11A10-240	240VAC	DPDT	7200	3VA	10A	D85a
R03-14A10-12	12VAC	3PDT	18	3VA	10A	D85b
R03-14A10-24	24VAC	3PDT	72	3VA	10A	D85b
R03-14A10-120	120VAC	3PDT	1700	3VA	10A	D85b
R03-14A10-240	240VAC	3PDT	7200	3VA	10A	D85b
DC OPERATED						
R03-11D10-12	12VDC	DPDT	120	1.4W	10A	D85a
R03-11D10-24	24VDC	DPDT	470	1.4W	10A	D85a
R03-11D10-48	48VDC	DPDT	1800	1.4W	10A	D85a
R03-11D10-110	110VDC	DPDT	10000	1.4W	10A	D85a
R03-14D10-12	12VDC	3PDT	120	1.4W	10A	D85b
R03-14D10-24	24VDC	3PDT	470	1.4W	10A	D85b
R03-14D10-48	48VDC	3PDT	1800	1.4W	10A	D85b
R03-14D10-110	110VDC	3PDT	10000	1.4W	10A	D85b
ACCESSORIES						
MOUNTING STYLES	DESCRIPTION	NTE TYPE NO.				
SURFACE MOUNT	8-PIN OCTAL	R95-101				
	11-PIN OCTAL	R95-104				
DIN RAIL MOUNT	8-PIN OCTAL	R95-113, R95-181				
	11-PIN OCTAL	R95-114, R95-182				
PANEL MOUNT	8-PIN OCTAL	R95-118				
	11-PIN OCTAL	R95-119				

R03 Series



General Purpose, 10 Amp, DPDT & 3PDT, AC & DC Full-Feature Relays.



Electrical Specifications

Contact

Contact Rating: 10 Amp @ 240 VAC (1/2 HP),
10 Amp @ 120 VAC (1/3 HP),
10 Amp @ 28 VDC

Maximum Switching Voltage: 300V

Minimum Switching Requirement: 100mA @ 5VDC (500mW)

Contact Material: Gold Flashed Silver Alloy

Coil

Coil Voltages: See Chart

Pick-up Voltage: 80 to 110% of nominal, DC
85 to 110% of nominal, AC

Drop-out Threshold: 10%, DC
15%, AC

Resistance: See chart

Operational Characteristics

Timing Values **Response Time:** 20 mS

Insulation Characteristics

Dielectric Strength

Contact To Coil: 1500 VRMS
Pole to Pole: 1500 VRMS

Environmental Characteristics

Operating: -40°C to +55°C

Non-operating (storage): -40°C to +85°C

Life

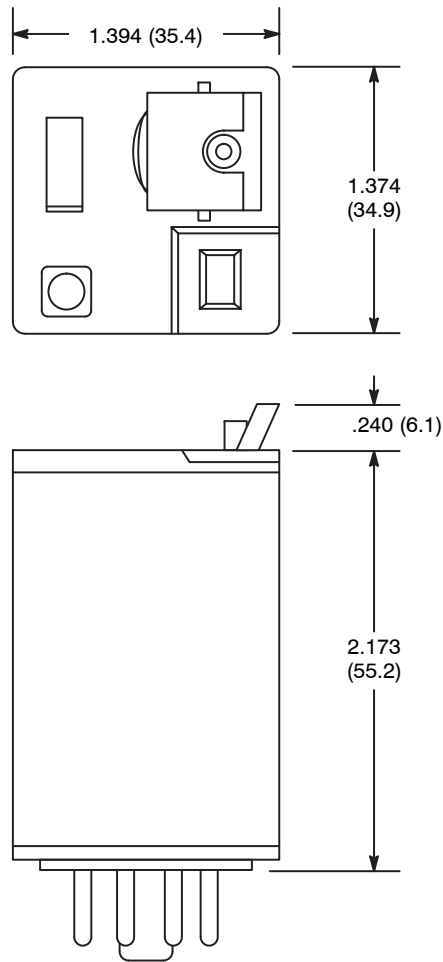
Mechanical: 5 million operations (no load)

Electrical: 100,000 operations (at rated load, resistive)

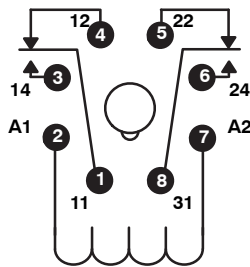
Weight

Std: 3.14 ozs (89 grams)—typical

D85

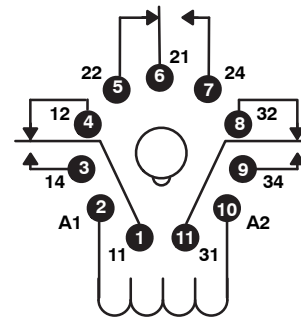


A (DPDT), 2 Form "C"



Viewed from Pin end of Plug

B (3PDT), 3 Form "C"



Viewed from Pin end of Plug